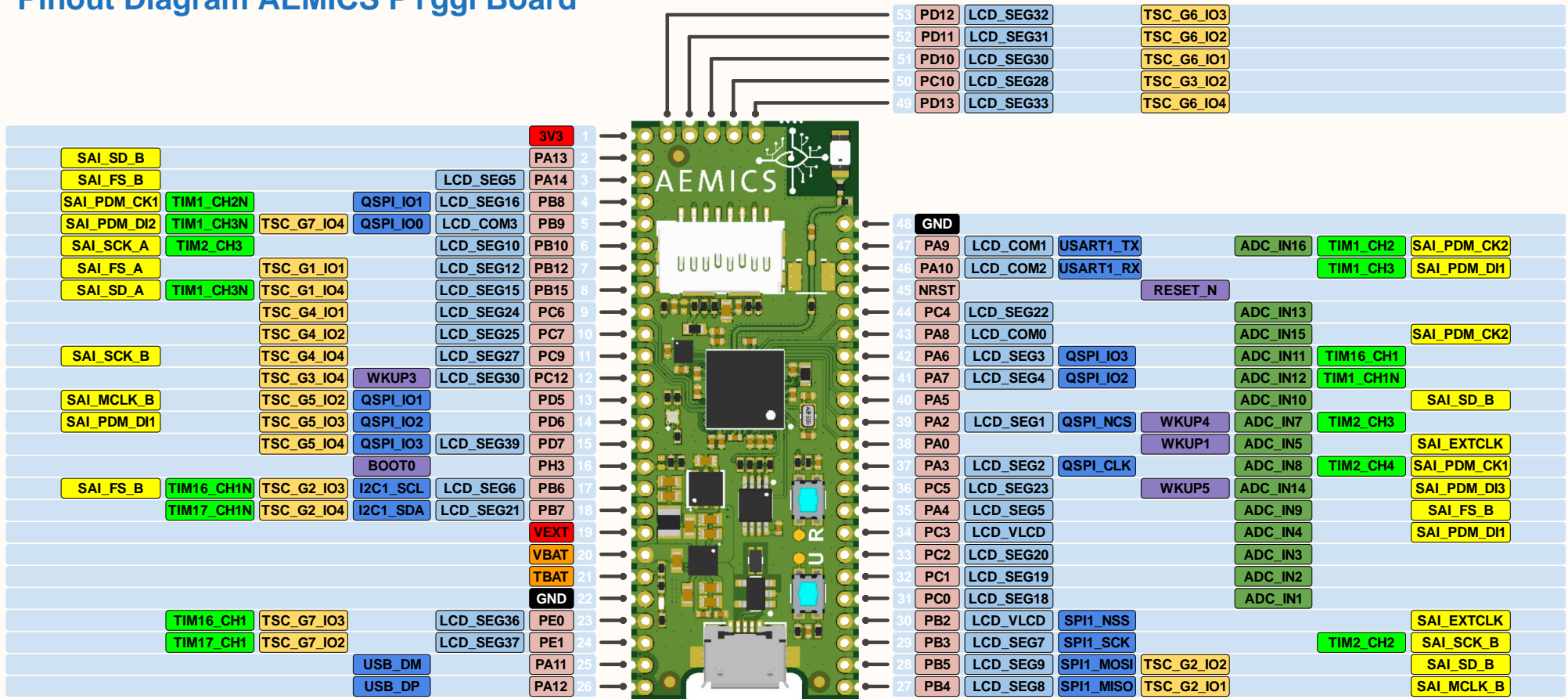


Pinout Diagram AEMICS PYggi Board



PIN Types

- Power Pin
- Battery Pin
- GND Pin
- STM32WB55 Pin Name
- Analog Capable Pin
- Serial Capable Pin
- System Function
- PWM Capable Pin
- LCD Capable Pin
- Touch Capable Pin
- Serial Audio Interface Capable Pin

On-Board (Fixed) Features

- PA1 **TIM2_CH2** RGB LED - RED Cathode
 - PA15 **TIM2_CH1** RGB LED - GREEN Cathode
 - PB11 **TIM2_CH4** RGB LED - BLUE Cathode
 - PC13 **WKUP2** User Configurable Switch
 - PB13 **I2C3_SCL** Internal I2C Bus - SCL
 - PB14 **I2C3_SDA** Internal I2C Bus - SDA
- Internal I2C Bus Connected Devices:
- Temperature Sensor (NXP LM75BDP) @ 1001000 (48h)
 - Charge Controller (TI BQ24160Y) @ 1101011 (6Bh)
- PB1 Charge Controller Status
 - PD9 Charge Controller Disable

Power Supply & Battery

- **3V3** On-Board 3V3 / 500mA Supply, **OUTPUT ONLY!**
- **VEXT** External Supply Input, 4.2V - 10V
- **VBAT** Battery Supply & Charging Pin (Single Cell Lithium-Ion/Polymer)
- **TBAT** Battery Temperature Sensing Pin

Note:

- Board can also be supplied with power through the USB interface (5V)
- All GPIO pins are 5V tolerant

Low Level Bootloader (DFU)

- **GND** + ■ **PC13** Device Firmware Upgrade

Boot modes and safe boot

- **3V3** + ■ **PA0**
- 1-3 sec Safe boot, latest firmware
- 4-6 sec Safe boot, previous firmware
- 7-9 sec Safe boot, factory firmware



Zutphenstraat 81
7575 EJ Oldenzaal
Netherlands

T +31 (0)880 236427
E info@aemics.nl
I www.aemics.nl